



COMBiLiFT

Customised Handling Solutions

C14,000 – C17,300

making short work of long loads



forward/reverse mode



carousel mode



sideward mode



three machines in one

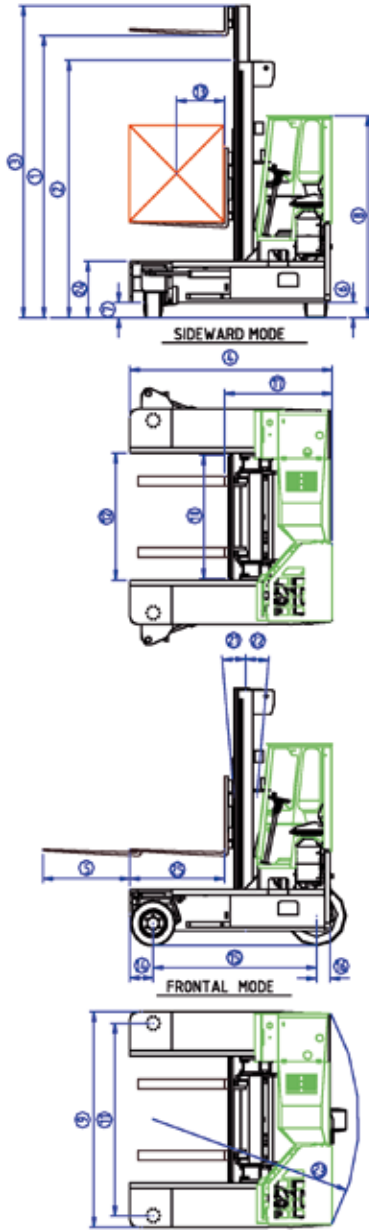
- counterbalance forklift - sideloader - aisle truck

www.COMBiLiFT.COM



SPECIFICATIONS

Model C14,000_{LBS} - C17,300_{LBS}



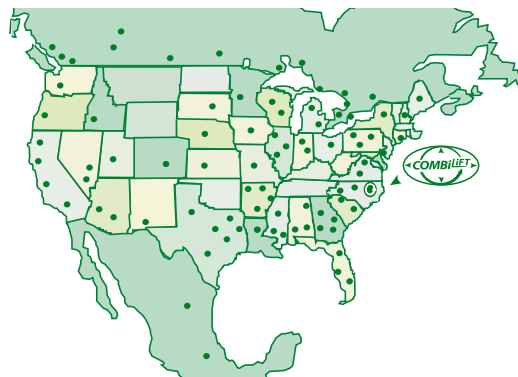
REF	DESCRIPTION	C14,000	C17,300
1a	Max. Lift Height		178"
1b	Free Lift Height		0"
2	Height Mast Closed		135"
3	Max.(Mast raised)		234"
4	Overall Length	96"	105"
5	Mast Travel	51"	60"
6	Ground Clearance Under Mast		11"
7	Ground Clearance to Center of Wheelbase		6"
8	Height Of Cab		102"
9	Width		110"
10	Outside Spread of Fork Arms		63"
11	Track Front		98"
12	Frame Opening		65"
13	Load Center Distance		24"
14	Overhang Front		12"
15	Wheel Base	76"	85"
16	Overhang Back		8"
17	Length From Face of Fork		46½"
18	Approach Angle		45°
19	Ramp Angle		29°
20	Departure Angle		45°
21	Forward Tilt		3°
22	Backward Tilt		5°
23	Minimum Outside Radius	100"	108"
24	Platform Height	28"	28"
25	Platform Length	49½"	58½"
A	Capacity	14,000 lbs	17,300 lbs
B	Unladen Weight	26,000 lbs	29,700 lbs
C	Maximum Ground Speed	10 mph	10 mph
D	Gradability		15%
E	V3300-TE Kubota Diesel / 4.3ltr GM LP Gas		83 HP / 96 HP
F	Electric's		12 Volt
G	Fork Section 2" x 8" x	49½"	58½"
H	23 x 10 - 12 Front Tyre (Super Elastic)		OD 23" / Width 10"
I	355 / 65 - 215 Rear Tyre (Super Elastic)		OD 32" / Width 15"
J	Standard Color		Green and Grey
K	Suspension Seat		KAB Model 211

Compare the options

	Outside	Inside	4-Way
COMBiLiFT	✓	✓	✓
4-Way Electric	x	✓	✓
Counterbalance	✓	✓	x
Side Loader	✓	x	x

FEATURES INCLUDE:

- Multi - Direction Operation
- Load Sensing Steering
- 3 Wheel Hydrostatic Drive
- 4 way lever Positioning of Wheels



COMBiLiFT Ltd

Co.Monaghan, Ireland

Tel: 011 353 47 80500

Fax: 011 353 47 80501

COMBiLiFT USA

303 Concord Street, Greensboro
North Carolina 27406

Toll Free: 1-877 COMBI 56

Tel: 336-378-8884

Fax: 336-378-8842

info@combilift.com

Distributed By