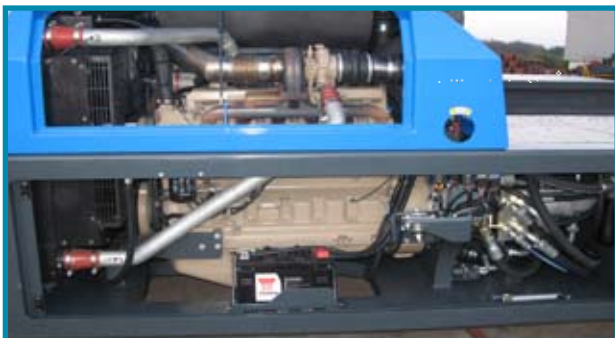




# COMBiLiFT

**C50,000**

*Multi-Directional Forklift*



*Designed to Handle Heavy,  
Long and Awkward Loads.*

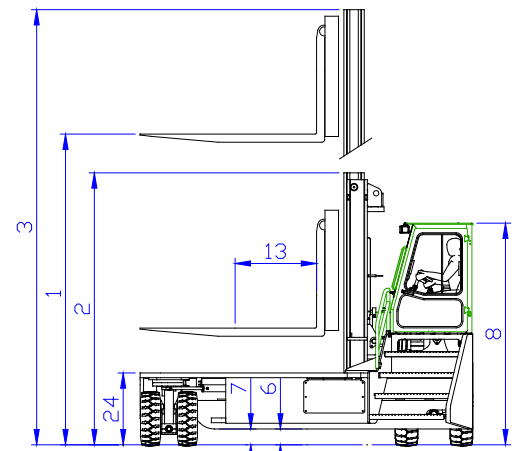
**[www.COMBiLiFT.com](http://www.COMBiLiFT.com)**



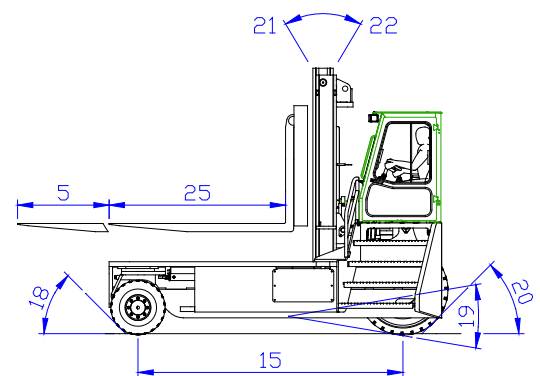
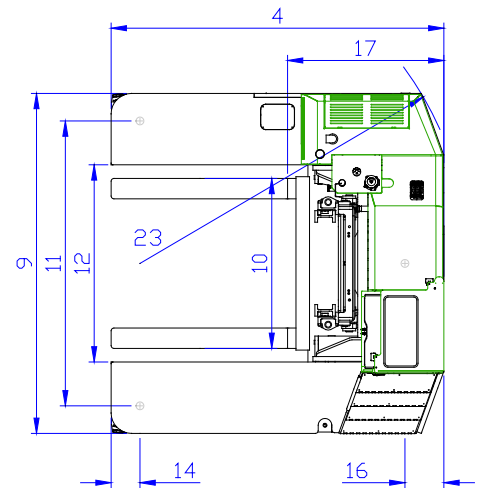
# SPECIFICATIONS

# MODEL C50,000

REF	DESCRIPTION	STANDARD
1 a	Max. Lift Height	162 ¼"
1 b	Free Lift Height	0"
2	Height Mast Closed	157 ½"
3	Max.(Mast raised)	236 ¼"
4	Overall Length	193"
5	Mast Travel	106 ¼"
6	Ground Clearance Under Mast	11"
7	Ground Clearance to Center of Wheelbase	7 ¾"
8	Height Over Cab (without work-lights)	126"
9	Width	196 ¾"
10	Outside Spread of Fork Arms	94 ½"
11	Track Front	165 ¼"
12	Frame Opening	114 ¼"
13	Load Center Distance	48"
14	Overhang Front	15 ¾"
15	Wheel Base	154"
16	Overhang Back	23 ¼"
17	Length From Face of Fork	90 ½"
18	Approach Angle	45°
19	Ramp Angle	20°
20	Departure Angle	45°
21	Forward Tilt	4°
22	Backward Tilt	8°
23	Minimum Outside Radius	181"
24	Platform Height	43 ¾"
25	Platform Length	102 ¼"
A	Capacity	50,000 lbs
B	Unladen Weight	77,000 lbs
C	Maximum Ground Speed	12 mph
D	Gradeability	10%
E	John Deere Diesel 6068HF	170 hp
F	Electric's	12 Volt
G	Fork Section	4 ¾ x 11 ¾ x 102 ¼"
H	14.00 – 24 Rear Tires (Super Elastic) x 2	OD 51 ¾" / Width 16"
I	355/65-15 Front Tires (Super Elastic) x 4	OD 32 ½" / Width 14"
J	Standard Color	Green and Grey
K	Suspension Seat	KAB Model 116



SIDEWARD MODE



FORWARD MODE

## COMBiLiFT USA

303 Concord St  
Greensboro, NC 27406  
T: 1877 COMBI 56  
F: 336 378 8842  
E: info@combilift.com

[www.COMBiLiFT.com](http://www.COMBiLiFT.com)

Distributed by

### FEATURES INCLUDE:

- Hydraulic Mounted Cabin
- Multi-Direction Operation
- 4 Wheel Hydrostatic Drive
- +/- 6" Integrated Side-shift
- 4 Way Lever Positioning of Wheels
- Hydraulic Fork Positioner
- Hydraulic Oil Cooler